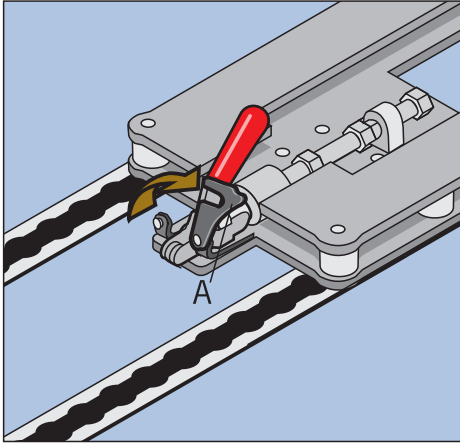


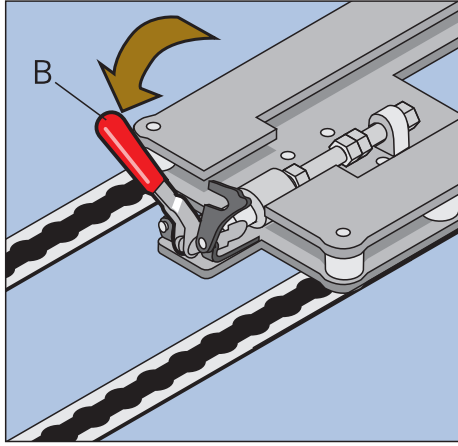
NMI Maxibase: User Instruction Leaflet

To be operated by trained personnel only

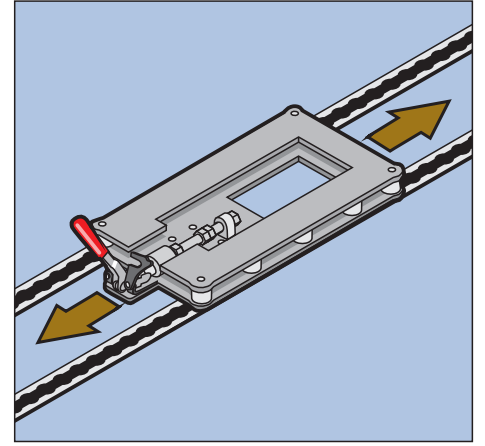
Unlocking, sliding and securing the Maxibase



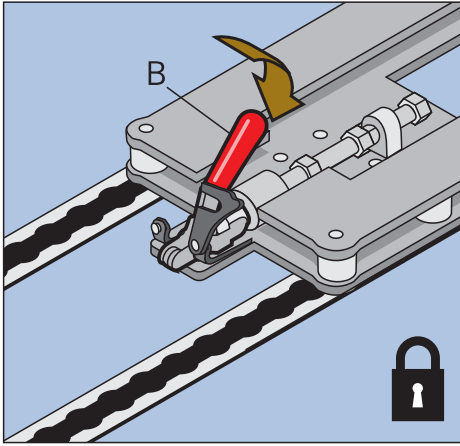
Open safety catch A



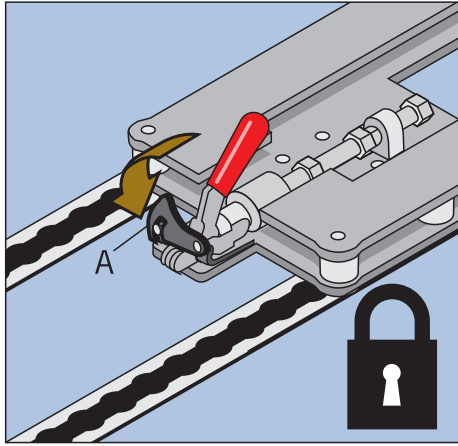
Pull out clamp B



Slide Maxibase to the preferred position



Close clamp B to lock the Maxibase in position



Close safety catch A

Note: The Maxibase slides onto the track from one end and then remains captive in the track. It is not a system which allows for the lifting of the base from out of the track.