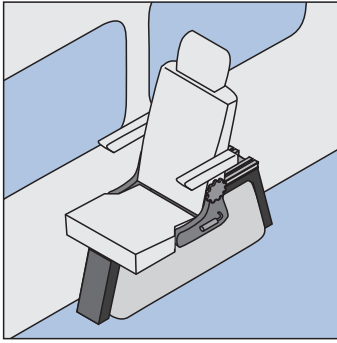


NMI Wheel Arch Seat Solution: User Instruction Leaflet

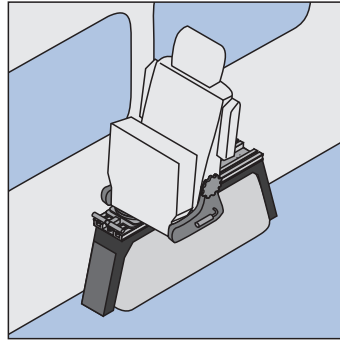
To be operated by trained personnel only

Compacting the wheel arch seat against the wall for space

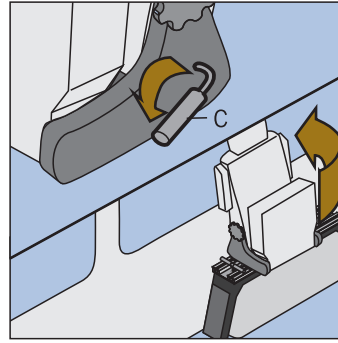
Collapsing the seat, adjusting positioning, securing and positioning against the wall



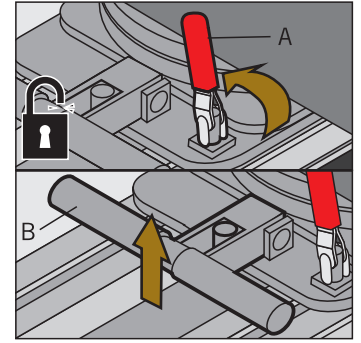
Locate the wheel arch seat.



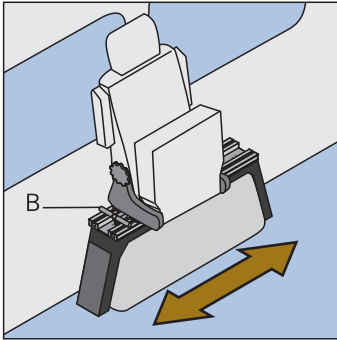
Tip up seat cushion, fold away any armrests and upright the seat back (if your seat has a recline function)



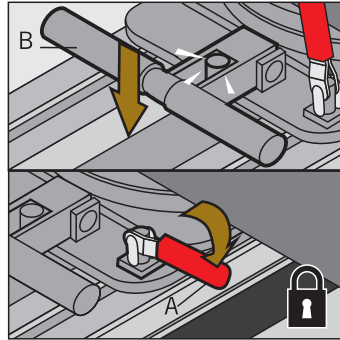
Push down handle on the side of the seat and rotate the whole seat so the back faces the wall. It should click into position and should not be able to move.



If you wish to change the seat's position unlock the seat base by lifting up red toggle clamp A to the upright position. Then lift handle B to raise the plunger out of the hole.



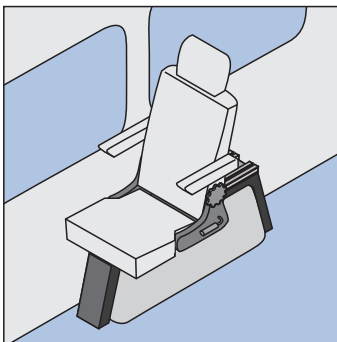
Slide the seat back and forth using handle B to your preferred position.



Let go of handle B and it will automatically drop into the next available hole as you slide the base. Then push down the red toggle A until it can't move to lock the base.

Returning the seat to seat mode

Unlocking the seat, sliding its position and resecuring the seat



To return the seat to its seat position reverse the steps above. Ensure the chair is slid forward far enough that the wheel arch does not get in the way of the passenger's legs.